

Stalak za centriranje kotača, profesionalni

1689



Profili



Atributi proizvoda

We redesigned many of its features. The base has been made stronger for improved precision and we also added conical one-size-fits-all magnetic thru-axles adapters that can be stored anywhere on the base. The arms have been made longer to accommodate 29+ wheels better and the calipers widened accordingly. Threads, springs and bearings were all revised resulting in smoother operation plus less

frequent calibration. Additionally, we include white high-gloss stickers you can apply to the base and caliper arm to improve background contrast, making it easier than ever to use.

Here is a full list of the improvements.

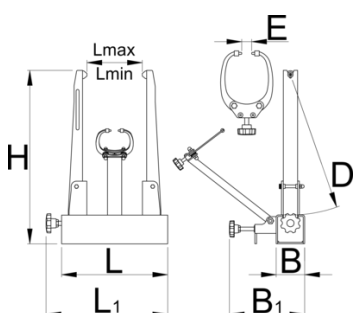
- Stronger base for improved precision
- Longer and redesigned upright arms for improved clearance of 29+ wheels and truing precision
- Wider calipers for increased clearance of 29+ wheels
- Accommodates wider axles, works with through axle hubs up to 197mm width (include the use of adapters). Max. arm opening 230mm (without the use of adapters).
- New bearings on the upright arm adjust axle are spring loaded for improved precision and reduced frequency of calibration
- Redesigned caliper tips for easier radial truing
- Revised threads and springs for smoother operation
- 8mm bench mount holes at the bottom, 268 mm center to center
- Slicker design, all black
- Comes with conical magnetic through axle adapters – one size fits all (12, 15 and 20). The adapters are now magnetic and can be affixed anywhere on the base. Features a bolt for more permanent fix on the upright arms.
- Includes white high gloss stickers, covering the base and caliper arm, for improved background contrast (stickers are not preapplied)

Compatibility:

- Accepts wheels from 16 to 29+ inch with or without tire.
- Supports solid, quick release and through axle hubs
- Through axle hubs are supported with use of the adapters (included with truing stand)
- One pair of through axle adapters support all sizes of through axles

Standard features (same as before):

- Oblik stalka istovremeno omogućava i radijalnu kontrolu odstupanja centriranosti obruča kotača.
- Kontrolnik ima plastične vrhove, kako ne bi došlo do oštećenja boje na kotaču.
- Širina podupirača može se podešavati tako da odgovara veličini osovine kotača. Takođe je podesiva i visina kontrolnika, tako da se može podesiti da odgovara promjeru kotača.
- Prilikom promjene kotača koji se kontroliraju, opruga u nosaču kontrolnika omogućava brzu zamjenu kotača iste dimenzije.





D↑

E↑

L↓

L↑

H

L

L1



629297

390

40

40

226

485

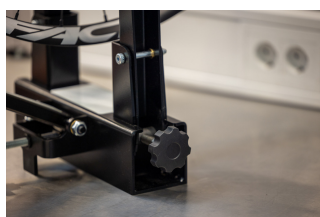
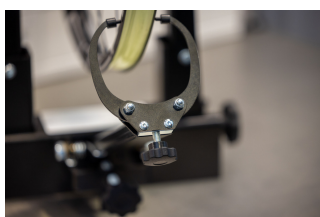
298

342

7165

* Slike proizvoda su simbolične. Sve dimenzije su u mm, masa je u g.

upotreba (pictures)



Accessories



Kontrolnik za stalak 1689



Rezervni dio za art. 1689



Adapter za osovine kotača



Adapter Cannondale Lefty® za stalak za centriranje kotača



Pro Truing Stand Wooden Base

Rezervni djelovi



Rezervni plastični poklopac za kontrolnik



Handle for 1689