

Pro truing stand

1689



Usage



Profiles

Product features

- material: premium plus carbon steel
- Accepts wheels from 16 to 29 inch with or without tire.
- Supports hubs up to 157 mm width.
- Truing of 20 mm or other dimension axle wheels requires additional adaptors.
- This stand for professional use is specially designed for bicycle repair



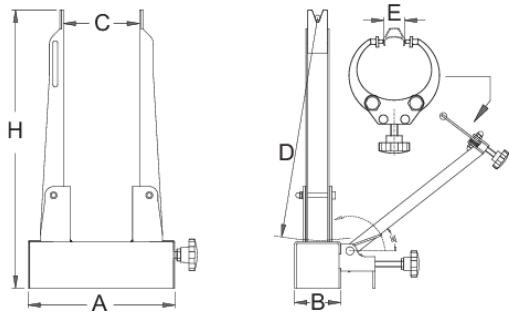
[_\(/ar/support/warranty\).](https://ar.support.warranty)

shops. It can be bench-mounted or vise-held.

- The calipers enable simultaneous radial control of the wheel position on both sides, with an additional possibility to control radial symmetry in relation to the hub.
- The geometry of the callipers enables a simultaneous axial control for accurate truing of the rim.
- The calipers have plastic coated tips to prevent scratching the rim.
- The upright arms position can be adjusted with an upright adjustment knob to fit the axle width. The caliper arm position can be adjusted to fit the wheel radius and the caliper tip distance can be adjusted to fit the rim width.
- When changing the wheel, the spring loaded upright arms and the caliper arm can be quickly pulled away, automatically springing back to a set position when inserting a new wheel. This enables faster truing of several same size wheels.
- Truing control of brake rotors can be done with additional calipers inserted into slots in the upright arm.
- Additional holes are useful for storing all the three dimension hubs inserts 1689.3 (12, 15 and 20 mm).
- Additional nuts in the bottom part of the stand enable easy tightening to a workbench.

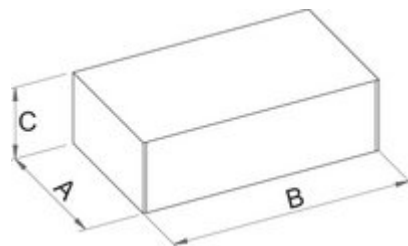
Important!

- 1689 professional wheel centering stand arm can get out of center after being used frequently. Controlling caliper arm enables us, to calibrate the stand arm back to its center position.



--	--	--	--	--	--	--	--	--

623059	385	40	40	206	480	282	80	7300
--------	-----	----	----	-----	-----	-----	----	------



Retail packaging

		MC	ean	Packaging
--	--	----	-----	-----------

623059	513	337	145	7500
--------	-----	-----	-----	------

Transport packaging

		TB	TA		TC
--	--	----	----	--	----

623059	145	7500	1	513	337
--------	-----	------	---	-----	-----

Spare parts



Spare tip for caliper



Handle for 1689