

Darbeli tornavida seti

6762



Profiles

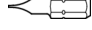
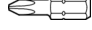
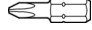


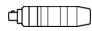
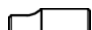


Product features

- Kutu boyutları: 197 x 105 x 38

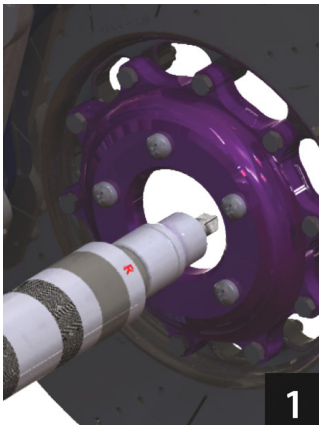
Set includes:

- 1x Impact screwdriver (article 6762.1) dim. 1/2"
- 1x Impact adapter (article 6762.2) dim. 1/2"-5/16"
- 2x hex bits (article 6489C8) dim. 5, 6
- 4x TX profile bit (article 6492C8) dim. TX20, TX25, TX30, TX40
- 1x crosstip (PH) bit (article 6484C8) dim. PH4
- 2x crosstip (PH) bit (article 6483C8) dim. PH2, PH3
- 3x slotted bit (article 6480C8) dim. 1.2x6.5x41, 1.6x8.0x41, 2.0x12.0x41

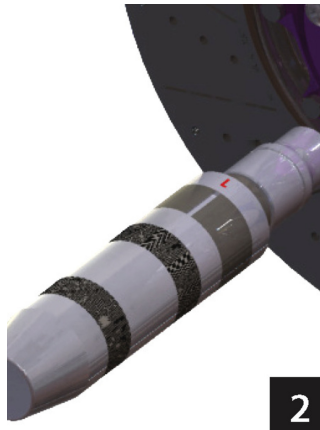
Product name	SKU	Article	Dimensions	Quantity
Darbeli tornavida seti	605061	6762	-	14
Yarıklı düz uç, 3 parçalı takım		6480C8	1.2 x 6.5x41, 1.6 x 8.0x41, 2.0 x 12.0x41	3
Yıldız (PH) uç, 3 parçalı takım		6483C8	PH 2, PH 3	2
Yıldız (PH) uç, 3 parçalı takım		6484C8	PH 4	1
Altıgen somun ucu, 3 parçalı takım		6489C8	5, 6	2
TX profilli uç, 3 parçalı takım		6492C8	TX 25, TX 30, TX 40, TX 20	4
Darbeli tornavida		6762.1	1/2"x144	1
Adaptör 1/2" - 5/16"		6762.2	1/2" - 5/16"	1

* Ürünlerin resimleri semboliktir. Bütün boyutlar mm ve ağırlık gram cinsindedir.

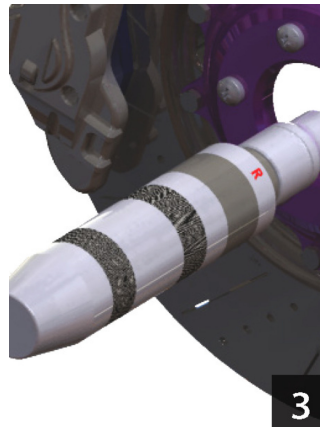
Usage (pictures)



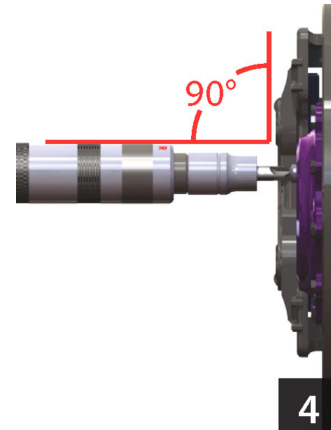
Move impact screwdriver closer to screw, which we will tighten (R), or loosen (L)



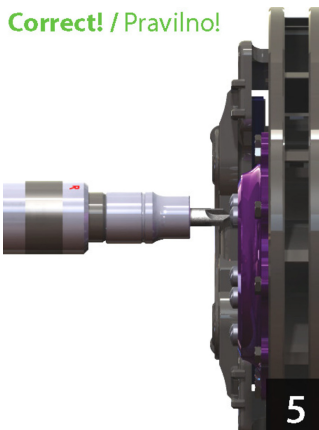
L is showing screw loosening.



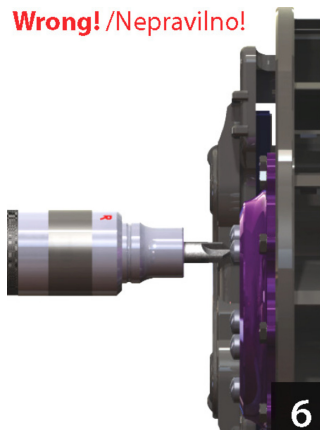
R is showing screw tightening.



When tightening or loosening the screw, tool has to be placed in a position perpendicular to the screw!



Move tool closer to screw, and don't press it to final position before use. With hammer strike, tool is automatically extracted and tightening/loosening begins.



When the tool is in the compressed position, and we strike it with hammer inner mechanism will get destroyed. Never strike tool with hammer, when the tool is in compressed position!



When the tool is properly positioned on the screw, tap the tool holder with hammer. This will trigger mechanism that allows bolt tightening/loosening for approx. 15°.