

# Set surubelnite de impact

6762



## Profile




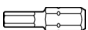




## Caracteristicile produsului

- Dimensiunea cutiei : 197 x 105 x 38

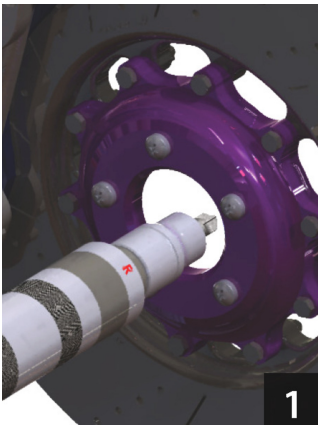
## Set includes:

- 1x Impact screwdriver (article 6762.1) dim. 1/2"
- 1x Impact adapter (article 6762.2) dim. 1/2"-5/16"
- 2x hex bits (article 6489C8) dim. 5, 6
- 4x TX profile bit (article 6492C8) dim. TX20, TX25, TX30, TX40
- 1x crosstip (PH) bit (article 6484C8) dim. PH4
- 2x crosstip (PH) bit (article 6483C8) dim. PH2, PH3
- 3x slotted bit (article 6480C8) dim. 1.2x6.5x41, 1.6x8.0x41, 2.0x12.0x41

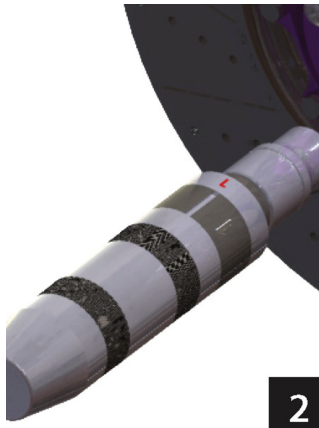
| Denumirea Produsului                       | SKU   | Articol | Dimensiuni                                   | Cantitate |
|--|---|---------|--|-----------|
| Set surubelnite de impact                  | 605061  | 6762    | -  | 13        |
| Bituri cu locas surubelnita-set de 3 piese |  | 6480C8  | 1.2 x 6.5x41, 1.6 x 8.0x41,<br>2.0 x 12.0x41 | 3         |
| Bituri PH-set de 3 piese                   |  | 6483C8  | PH 2, PH 3                                   | 2         |
| Bituri PH-set de 3 piese                   |  | 6484C8  | PH 4   | 1         |
| Bituri hexagonale-set de 3 piese           |  | 6489C8  | 5, 6   | 2         |
| Bituri TX-set de 3 piese                   |  | 6492C8  | TX 25, TX 30, TX 40, TX 20                   | 4         |
| Surubelnita de impact                      |  | 6762.1  | 1/2"x144                                     | 1         |

\* Imaginea produsului este simbolica.Toate dimensiunile sunt exprimate în mm,greutatea în grame.

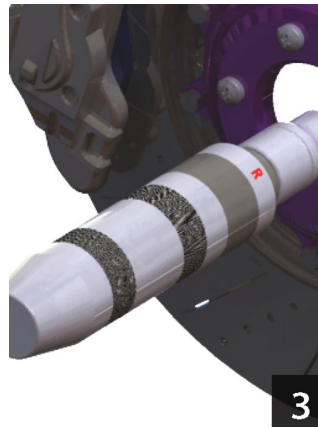
0 (pictures)



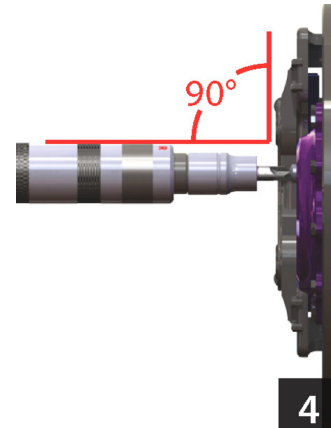
Move impact screwdriver closer to screw, which we will tighten (R), or loosen (L)



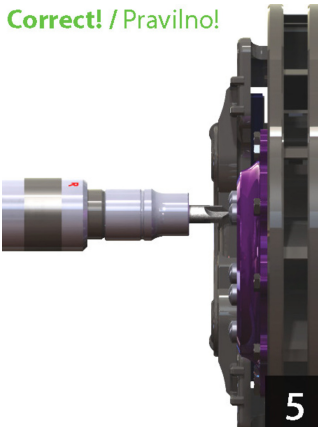
L is showing screw loosening.



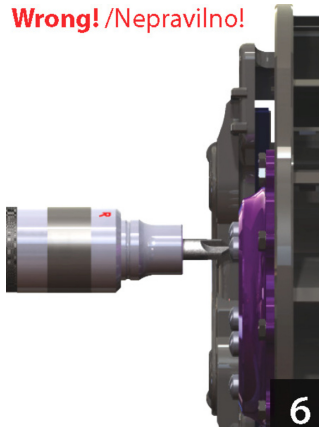
R is showing screw tightening.



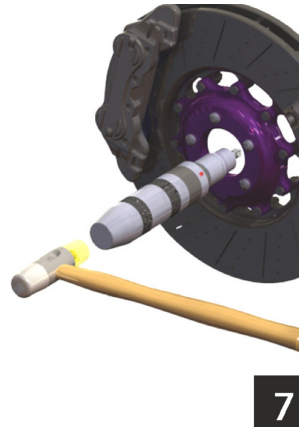
When tightening or loosening the screw, tool has to be placed in a position perpendicular to the screw!



Move tool closer to screw, and don't press it to final position before use. With hammer strike, tool is automatically extracted and tightening/loosening begins.



When the tool is in the compressed position, and we strike it with hammer inner mechanism will get destroyed. Never strike tool with hammer, when the tool is in compressed position!



When the tool is properly positioned on the screw, tap the tool holder with hammer. This will trigger mechanism that allows bolt tightening/loosening for approx. 15°.