

# 冲击螺丝刀套装

6762



## 配置文件









## 产品属性

- 盒子尺寸 : 197 x 105 x 38

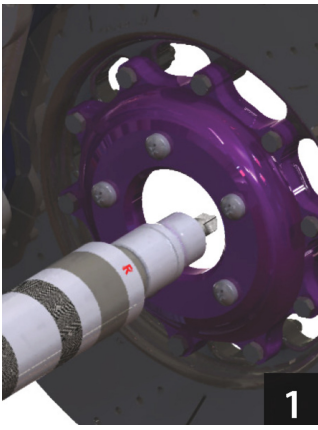
## Set includes:

- 1x Impact screwdriver (article 6762.1) dim. 1/2"
- 1x Impact adapter (article 6762.2) dim. 1/2"-5/16"
- 2x hex bits (article 6489C8) dim. 5, 6
- 4x TX profile bit (article 6492C8) dim. TX20, TX25, TX30, TX40
- 1x crosstip (PH) bit (article 6484C8) dim. PH4
- 2x crosstip (PH) bit (article 6483C8) dim. PH2, PH3
- 3x slotted bit (article 6480C8) dim. 1.2x6.5x41, 1.6x8.0x41, 2.0x12.0x41

产品名称	SKU	文章	尺寸	数量
冲击螺丝刀套装	605061	6762	-	13
一字批头, 3件套装		6480C8	1.2 x 6.5x41, 1.6 x 8.0x41, 2.0 x 12.0x41	3
十字(PH)批头, 3件套装		6483C8	PH 2, PH 3	2
十字(PH)批头, 3件套装		6484C8	PH 4	1
六角套筒批头, 3件套装		6489C8	5, 6	2
TX型批头, 3件套装		6492C8	TX 25, TX 30, TX 40, TX 20	4
冲击螺丝刀		6762.1	1/2"x144	1

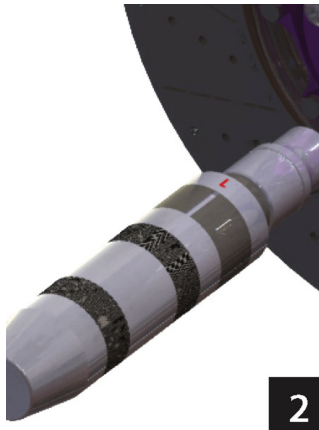
\* Images of products are symbolic. All dimensions are in mm, and weight in grams. All listed dimensions may vary in tolerance.

用途 (pictures)



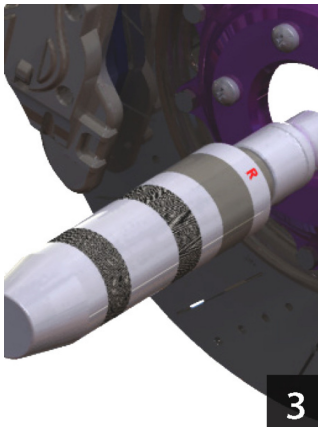
1

Move impact screwdriver closer to screw, which we will tighten (R), or loosen (L)



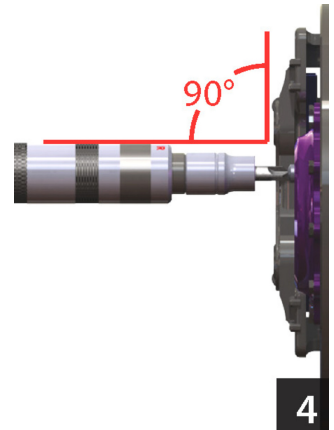
2

L is showing screw loosening.



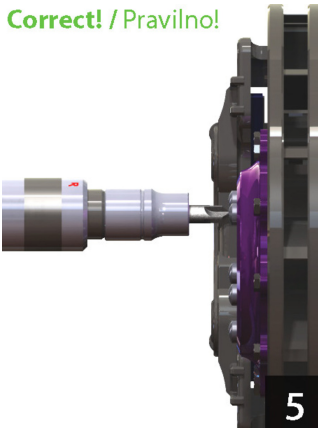
3

R is showing screw tightening.



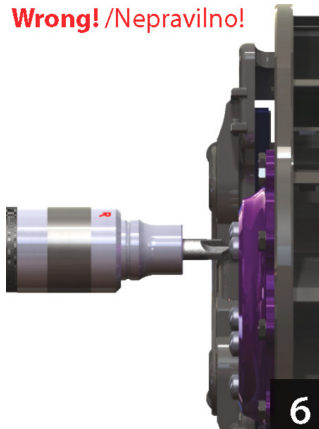
4

When tightening or loosening the screw, tool has to be placed in a position perpendicular to the screw!



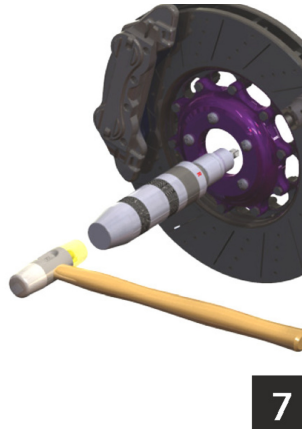
5

Move tool closer to screw, and don't press it to final position before use. With hammer strike, tool is automatically extracted and tightening/loosening begins.



6

When the tool is in the compressed position, and we strike it with hammer inner mechanism will get destroyed. Never strike tool with hammer, when the tool is in compressed position!



7

When the tool is properly positioned on the screw, tap the tool holder with hammer. This will trigger mechanism that allows bolt tightening/loosening for approx. 15°.