

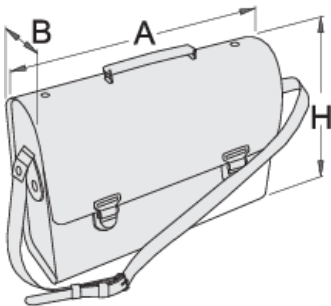
# Electrical bag

909/1



## 제품 특징

- Material: artificial leather 650 g, pocket walls 450g
- Lock, rings, rivets, buckle, protective knob made from metal, chrome plated
- number of pocket: 11
- .



L

B

H





L

B

H



602552

350

110

300

1542

\* Images of products are symbolic. All dimensions are in mm, and weight in grams. All listed dimensions may vary in tolerance.