

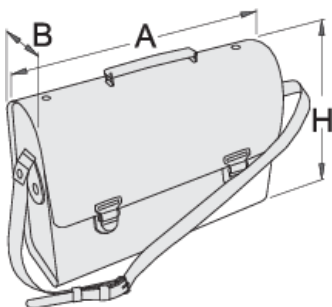
电工袋

909/1



产品属性

- 材料：人造皮革650 g，口袋隔层450g
- 锁、环、铆钉、扣、金属防护旋钮、镀铬
- 口袋数量：11
- .



L

B

H





L

B

H



602552

350

110

300

1542

* Images of products are symbolic. All dimensions are in mm, and weight in grams. All listed dimensions may vary in tolerance.