

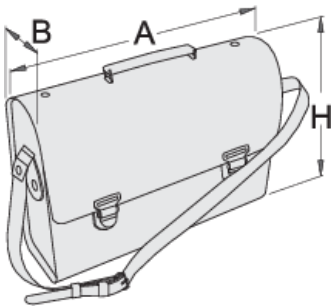
# 电工袋

909



## 产品属性

- 材料：人造皮革650 g，口袋隔层450g
- 锁、环、铆钉、扣、金属防护旋钮、镀铬
- 口袋数量：28
- .



601939

A

420

B

140

H

320



2400

\* Images of products are symbolic. All dimensions are in mm, and weight in grams. All listed dimensions may vary in tolerance.