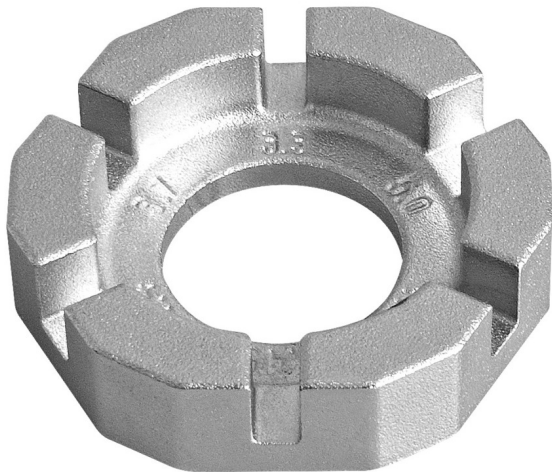


Round spoke wrench

1631/2



Usage

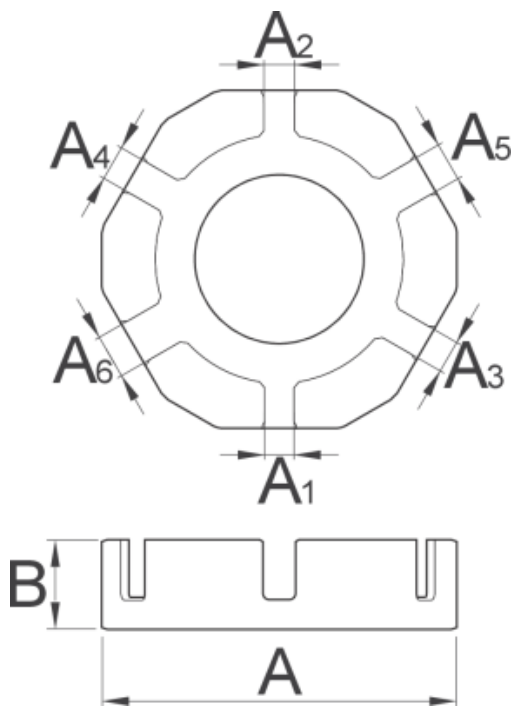


Profiles



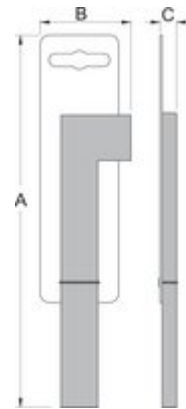
Product attributes

- material: premium plus carbon steel
- drop forged, entirely hardened and tempered
- This wrench fits the popular spoke nipple flat sizes: 3.3 mm, 3.45 mm, 3.7 mm, 3.96 mm, 4.4 mm and 5mm. The shape adjusts perfectly to the hand and allows a comfortable work and easy grip.



Barcode	L	A	S1	S2	S3	S4	S5	S6	Icon
---------	---	---	----	----	----	----	----	----	------

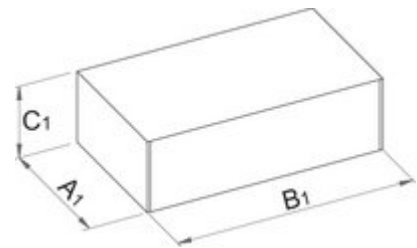
616289	39,9	10	3.3	3.45	3.7	4	4.4	5	50
--------	------	----	-----	------	-----	---	-----	---	----



Retail packaging

Barcode	MA	MB	MC	Icon
---------	----	----	----	------

616289	150	44	12	50
--------	-----	----	----	----



Transport packaging

Barcode	Hand icon	TA	TB	TC	Icon
---------	-----------	----	----	----	------

616289	4	71	243	42	240
--------	---	----	-----	----	-----