

Mobilni pult

994



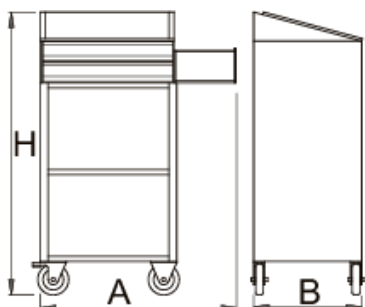
Profili



Opis proizvoda

- materijal: premium PLUS čelični lim

- radna površina je izdržljiva, prenosna ploča dimenzije A3, sa fiksnom "štikaljkom" za pričvršćivanje papira
- uzdignute ivice sprečavaju padanje papira i dokumentacije i drže ih na ploči
- držač mobilnog telefona
- otvori za odlaganje olovaka
- "udubljena" površina za odlaganje pribora
- 2 fioke D 563 x Š 365 x V 70mm
- fioke se mogu pregraditi i prilagoditi setom pregrada 940ES3A ili 940ES3
- 2 pregrade za odlaganje u donjem delu mobilnog pulta
- ergonomska ručica
- efikasan sistem za centralno zaključavanje, sa pregibnim ključem
- četiri točka od kojih jedan sa kočnicom; točkovi prečnika 100 mm, otporni na uticaj ulja i kiselina
- fioke sa kliznim vođicama mogu se izvući u potpunosti radi pregleda sadržaja
- sintetičke podloge štite fioke i alat od oštećenja
- obojeno ekološkom bojom, bez kadmijuma i olova
- osnovne dimenzije sa ručicom i točkićima D 770 x Š 460 x V 1252 mm
- nosivost svake fioke pojedinačno: 45 kg
- fioke su kompatibilne sa sve 3 veličine SOS uložaka: 1/3, 2/3, 3/3



Barcode	L	L1	B	B1	H	H1	Weight
612208	770	673	460.5	440	1252	1125	39000

* Fotografije proizvoda su simbolične. Sve dimenzije su u mm, a težina u gramima. Sve navedene dimenzije mogu odstupati u granicama tolerancija.

Dodatna oprema



Vrata za 994



Pano za alat Eurovision

Rezervni delovi



Bravica sa ključevima



Klizni držač 940E1-9



Točkovi za kolica

Pravilna upotreba



- Lock all your drawers before trying to roll the tool carriage into a new work area.
- Set the brakes on the locking casters after you have rolled the cabinet to your work area.
- Treat you tool carriage, tool chests, or tool boxes with respect.
- Always follow the prescribed max load capacity of individual drawers and the carriage as a whole.
- Always put heavier objects in the bottom drawers
- Always close drawers when not in use.
- Always follow manufacturer manual instructions regarding assembly and repair of your tools.



- Don't open two or more drawers at the same time, there is high chance of it tipping over.
- Don't throw tools into drawer, always put the tools in.
- Don't use an opened drawer as a working surface.
- Don't clean a lacquered surface with a solvent cleaner.
- Don't pull a tool carriage as you won't be able to see where you are headed. Push it in front of you so you can see where you are going.
- Don't stack a tool carriage with too many extra chests or tool trays; it may tip over at the most unexpected time.
- Don't roll a tool carriage with loose tools or parts on top of the carriage.
- Don't roll a tool carriage too quickly; a pot hole in the floor or some hardware on the floor may cause an accident.
- Don't overload the drawers; if you haven't got room for all of your tools, you need a larger tool carriage.
- Don't open up too many loaded drawers at a time; close each drawer before opening up another. Heavily loaded opened drawers are an invitation to tipping.