

# Pupitru mobil

994



## Profile

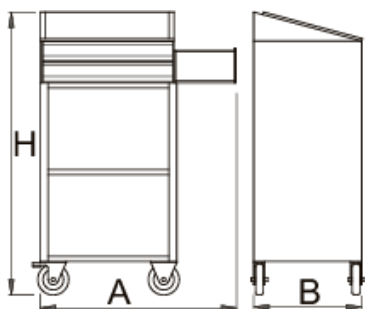
---



## Caracteristicile produsului

- material: tablă Premium Plus
- working surface with mobile durable plate with buckle, size landscape A3

- raised edge for preventing plate slippage
- mobile phone stand
- holes for pen storage
- deepened storage surface for accessories
- 2 drawers L 563 x W 365 x H 70mm
- drawers can be modified with partitions set 940ES3A or 940ES3
- 2 storage surfaces in the lower part of the trolley
- ergonomic handle
- sistem de inchidere
- 4 roti, una cu frana
- sertare pe rulmenti
- protectie a sertarelor sintetice si a sculelor contra deteriorarii
- vopsele cu vopsele ecologice fara cadmiu si plumb
- basic dimensions with handle and casters L 770 x W 460 x H 1252mm
- capacitate sertare 45 kg
- sertare compatibile cu tăvi de unelte SOS 1/3, 2/3, 3/3



| Barcode | L   | L1  | B     | B1  | H    | H1   | Weight |
|---------|-----|-----|-------|-----|------|------|--------|
| 612208  | 770 | 673 | 460.5 | 440 | 1252 | 1125 | 39000  |

\* Imaginea produsului este simbolica. Toate dimensiunile sunt exprimate în mm, greutatea în grame.

## Accessories



Door for 994



Perete suplimentar pentru 940V

## Piese de schimb



Lock with keys



Glisiere pe rulmenti 940E1-9



Set of casters

## Safety tips



- Lock all your drawers before trying to roll the tool carriage into a new work area.
- Set the brakes on the locking casters after you have rolled the cabinet to your work area.
- Treat your tool carriage, tool chests, or tool boxes with respect.
- Always follow the prescribed max load capacity of individual drawers and the carriage as a whole.
- Always put heavier objects in the bottom drawers
- Always close drawers when not in use.
- Always follow manufacturer manual instructions regarding assembly and repair of your tools.



- Don't open two or more drawers at the same time, there is high chance of it tipping over.
- Don't throw tools into drawer, always put the tools in.
- Don't use an opened drawer as a working surface.
- Don't clean a lacquered surface with a solvent cleaner.
- Don't pull a tool carriage as you won't be able to see where you are headed. Push it in front of you so you can see where you are going.
- Don't stack a tool carriage with too many extra chests or tool trays; it may tip over at the most unexpected time.
- Don't roll a tool carriage with loose tools or parts on top of the carriage.
- Don't roll a tool carriage too quickly; a pot hole in the floor or some hardware on the floor may cause an accident.
- Don't overload the drawers; if you haven't got room for all of your tools, you need a larger tool carriage.
- Don't open up too many loaded drawers at a time; close each drawer before opening up another. Heavily loaded opened drawers are an invitation to tipping.