

# Pokretni kontrolni pult

994



## Profili

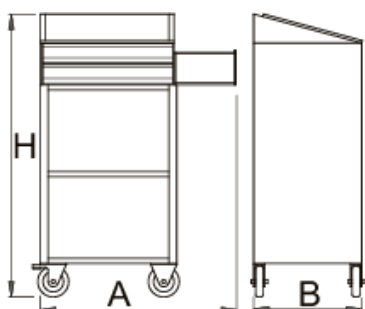
---



## Atributi proizvoda

- materijal: Premium Plus lim
- Radna površina sa prijenosnom izdržljivom pločom i kopčom. Dimenzija položene ploče A3.

- Podignut rub da se spriječi klizanja ploče
- Držač za mobitel
- Rupe za odlaganje kemijskih olovaka
- Udubljena površina za ostali pribor
- 2 ladice dimenzija D 563 x Š 365 x V 70 mm
- Ladice se mogu pregraditi pomoću artikala 940ES3A ili 940ES3
- 2 skladišna prostora u donjem dijelu kolica
- Ergonomska ručka
- sistem zaključavanja
- kotači otporni na ulja i kiseline promjera 100 mm, jedan s kočnicom, koji blokira spining i rotaciju kotača
- police s kugličnim vodilicama
- Sintetičke podloge štite ladice i alat od oštećenja
- premaz ekološkim lakom bez olova i kadmija
- Osnovne mjere s ručkom i kotačima D 770 x W 460 x H 1252 mm
- maksimalni kapacitet svake ladice: 45kg
- Ladice kompatibilne sa SOS alatima 1/3, 2/3, 3/3



Barcode	L	L1	B	B1	H	H1	Icon
612208	770	673	460.5	440	1252	1125	39000

\* Slike proizvoda su simbolične. Sve dimenzije su u mm, masa je u g.

## Accessories



Vrata za pult 994



Pano za alat za 940EV

## Rezervni djelovi



Lock with keys



Klizni držač 940E1-9



Set of casters

## Safety tips



- Lock all your drawers before trying to roll the tool carriage into a new work area.
- Set the brakes on the locking casters after you have rolled the cabinet to your work area.
- Treat your tool carriage, tool chests, or tool boxes with respect.
- Always follow the prescribed max load capacity of individual drawers and the carriage as a whole.
- Always put heavier objects in the bottom drawers
- Always close drawers when not in use.
- Always follow manufacturer manual instructions regarding assembly and repair of your tools.



- Don't open two or more drawers at the same time, there is high chance of it tipping over.
- Don't throw tools into drawer, always put the tools in.
- Don't use an opened drawer as a working surface.
- Don't clean a lacquered surface with a solvent cleaner.
- Don't pull a tool carriage as you won't be able to see where you are headed. Push it in front of you so you can see where you are going.
- Don't stack a tool carriage with too many extra chests or tool trays; it may tip over at the most unexpected time.
- Don't roll a tool carriage with loose tools or parts on top of the carriage.
- Don't roll a tool carriage too quickly; a pot hole in the floor or some hardware on the floor may cause an accident.
- Don't overload the drawers; if you haven't got room for all of your tools, you need a larger tool carriage.
- Don't open up too many loaded drawers at a time; close each drawer before opening up another. Heavily loaded opened drawers are an invitation to tipping.