

# Tool carriage Eurostyle

940E4/1L



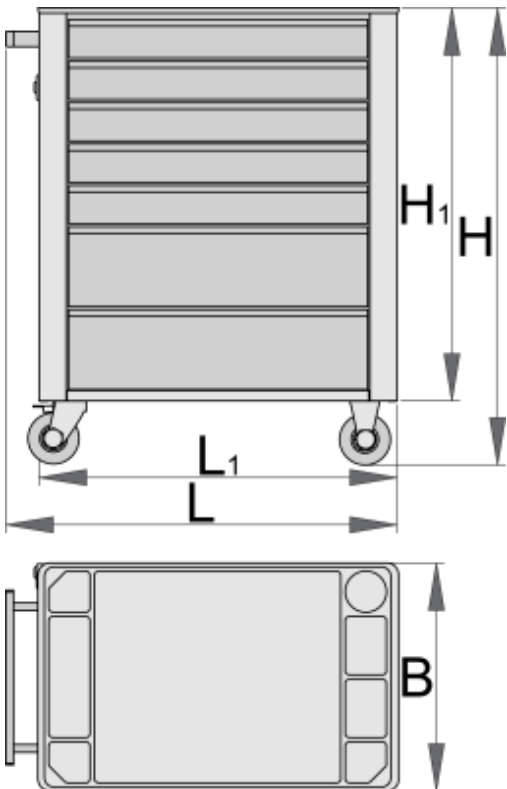
## Profiles



## Product attributes

- material: premium PLUS sheet metal
- central locking system with a lock and folding key
- lock with key included also foam keyring
- oil and acid resistant casters of a diameter of 100 mm, one with brake, which blocks spinning and swiveling of the caster
- full extension drawers with top quality ball-bearing slides
- the synthetic covering protects drawers and tools from damage
- wide range of accessories

- coated with eco colour of Qualicoat quality standard
- 7 drawers (5 x L 560 x W 365 x H 70 mm, 2 x L 560 x W 400 x H 150 mm)
- basic dimensions with handle and casters L 760 x W 440 x H 895 mm
- total volume of drawers: 140 litres
- static load capacity of carriage without casters: 1600kg
- dynamic load capacity of carriages: 300 kg
- maximum capacity of each drawer: 45kg
- left and right side are perforated
- include 10 hooks dimension 50mm
- ABS plate on the top of the carriage
- drawers compatible with SOS tool trays 1/3, 2/3, 3/3



612138

L

770

B

448

H

895

L1

700

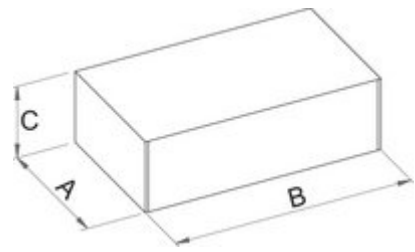
H1

768





53000

1



## Retail packaging

	MA	MB	MC	
612138	515	775	935	60070

## Transport packaging

		TA	TB	TC	
612138	1				

## Spare parts



Lock with keys



Small drawer for 940E1-9, 938/3V, 5V



Big drawer 940E1- E9, 938/3V, 5V



Ball-bearing slide 940E1-9



Set of casters



Swivel caster with brake



Swivel caster



Caster



Syntetic covering for the top 940E1-9



Synthetic covering for drawers 940E1-9, H1, H2, H3



Syntetic covering for the drawers 940E1-9, H1, H2, H3, M1, M2, M3



Handle 940E1-9