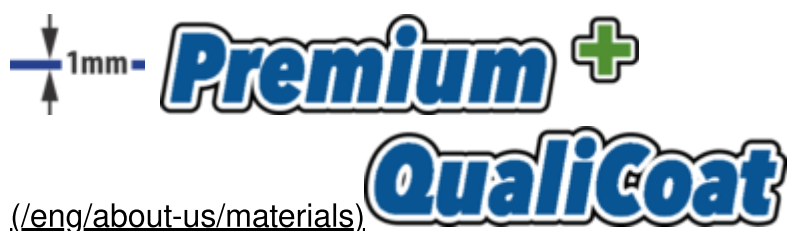


Tool carriage Eurostyle

940E3



Profiles

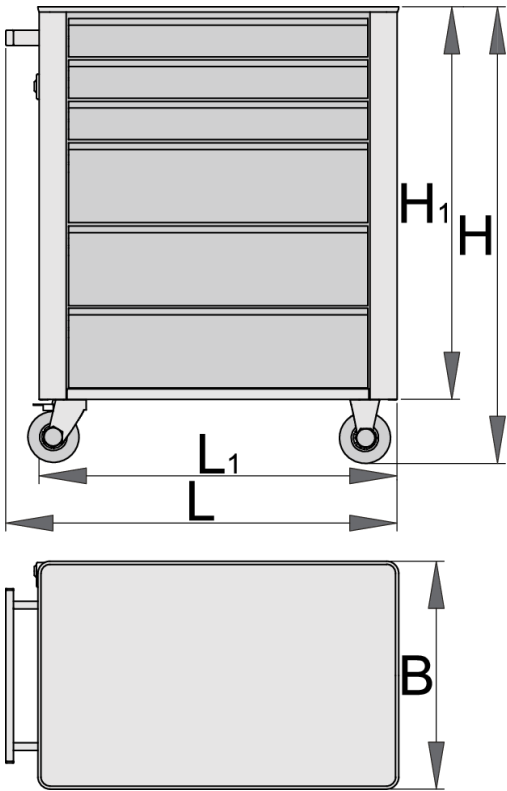


[./eng/support/warranty](https://www.uniortools.com/en/support/warranty)

Product features

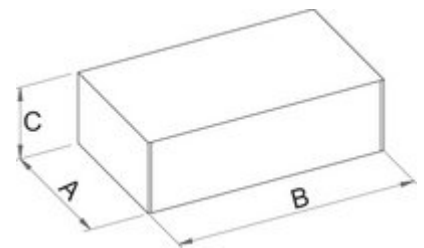
- material: premium PLUS sheet metal
- central locking system with a lock and folding key
- lock with key included also foam keyring
- oil and acid resistant casters of a diameter of 100 mm, one with brake, which blocks spinning and swiveling of the caster
- full extension drawers with top quality ball-bearing slides
- the synthetic covering protects drawers and tools from damage
- coated with eco colour of QualiCoat quality standard

- 6 drawers (3 x L 560 x W 365 x H 70 mm, 3 x L 560 x W 400 x H 150 mm)
- static load capacity of carriage without casters: 1600kg
- dynamic load capacity of carriages: 300 kg
- maximum capacity of each drawer: 45kg
- total volume of drawers: 144 litres
- drawers compatible with SOS tool trays 1/3, 2/3, 3/3
- wide range of accessories



Barcode	L	B	H	L1	H1	Icon
---------	---	---	---	----	----	------

608544	770	440	895	700	768	48000
--------	-----	-----	-----	-----	-----	-------



Retail packaging

Barcode	MA	MB	MC	Icon
---------	----	----	----	------

608544	515	775	935	48070
--------	-----	-----	-----	-------

Transport packaging



608544



1

TA

TB

TC



Spare parts



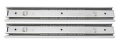
Lock with keys



Small drawer



Big drawer



Ball-bearing slide, set of 1 pair



Set of casters



Synthetic covering for the top of carriages 940E



Synthetic covering for drawer D3



Synthetic covering for the drawer D4



Handle for articles 940E