

BB30 removal tool

1625/2



Usage

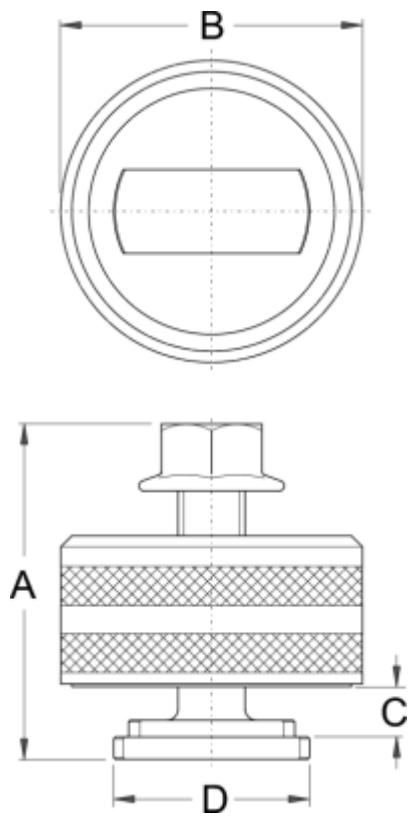


Product attributes

- This tool is designed to remove the non-threaded bottom bracket bearings of the BB30 bottom bracket system. The removal tool will safely drive the bearings out of the BB30 bottom bracket shell.

Profiles





	A	B	C	D		
--	---	---	---	---	--	--

621660	67	54	17	35	19	346
--------	----	----	----	----	----	-----

Retail packaging

	MA	MB	MC	
--	----	----	----	--

621660	57	57	93	364
--------	----	----	----	-----

Transport packaging

		TA	TB	TC	
--	--	----	----	----	--

621660	1	57	57	93	364
--------	---	----	----	----	-----

Spare parts



Guide head 35mm for 1625/2 - BB30



Plastic ring for 1625/2 - BB30