

Pro chain tool

1647/2ABI



Usage

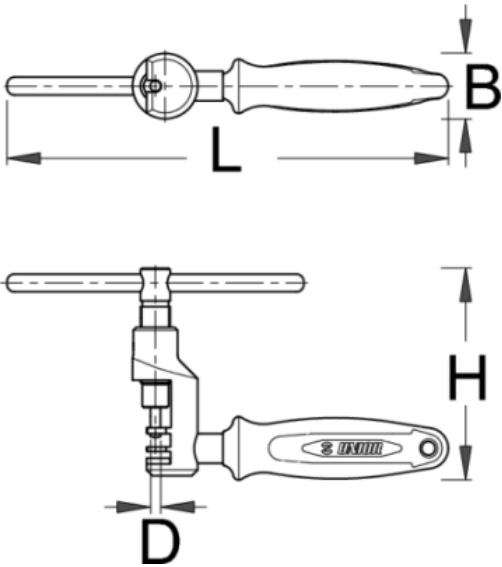


Product attributes

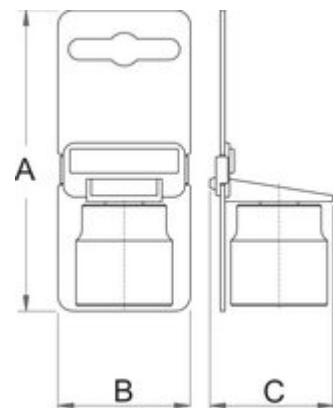
- material: premium flex plus carbon steel
- ergonomic heavy duty double component handle
- also supports Campagnolo 11 speed

How to use the tool:

- The Screw type chain tool is intended for both professionals and enthusiast users. The simple tightening of the spindle fits the chain pin with perfect precision and with its ergonomic design it is easy to use.

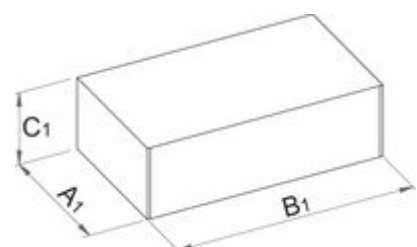


Barcode	D	B	L	H	Icon
621662	3,4	22	150	72	175



Retail packaging

Barcode	MB	MC	MA	Icon
621662	80	25	208	176



Transport packaging

Barcode	Icon	TB	TC	TA	Icon



621662



4

TB

225

TC

44

TA

209



795

Spare parts



Replacement chain pins for 1647/2ABI and 1647/2BBI



Steel ball for Pro chain tool 1647/2ABI



Pin nut for 1647/2BI