

Pro chain tool

1647/2ABI



Gebruik



Profielen

Product attributen

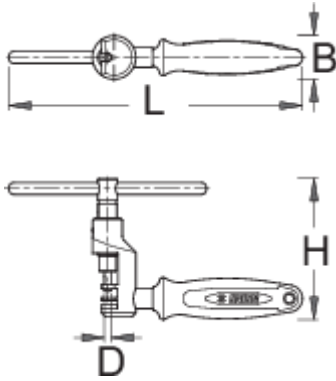
- material: premium flex plus carbon steel
- ergonomic heavy duty double component handle
- also supports Campagnolo 11 speed chain



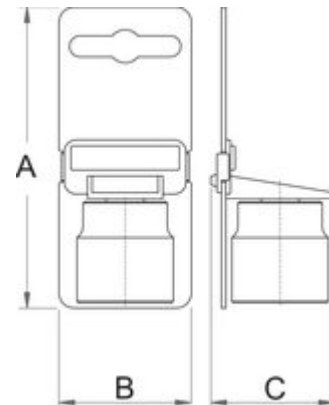
[_\(/be/support/warranty\)](https://be.support.warranty)

How to use the tool:

- The Screw type chain tool is intended for both professionals and enthusiast users. The simple tightening of the spindle fits the chain pin with perfect precision and with its ergonomic design it is easy to use.

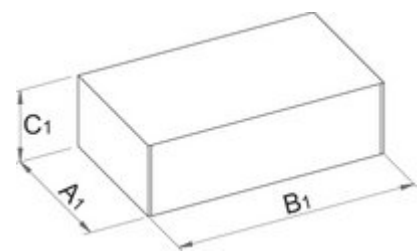


	D	B	L	H	
621662	3,4	22	150	72	175



Retail verpakking

	MB	MC	MA	
621662	80	25	208	176



Transport verpakking

		TB	TC	TA	
621662	4	225	44	209	795

Onderdelen



Replacement chain pins for 1647/2ABI and 1647/2BBI



Steel ball for Pro chain tool 1647/2ABI



Pin nut for 1647/2BI