

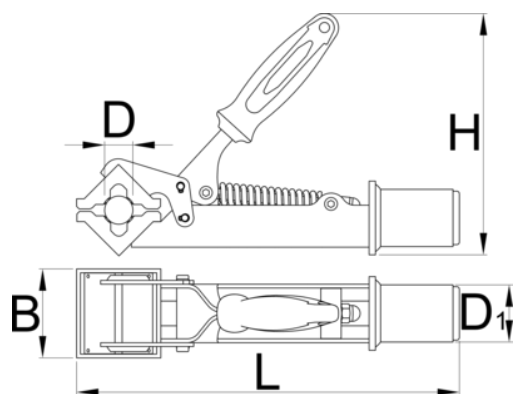
# Pro repair clamp, auto adjustable

1693.1



## Product attributes

- Suitable for tubes with diameter of min. Ø24 mm and max. Ø32 mm.



D↓

D↑

B

H

L

D1



621472

24

32

70

192



305

45

1600



## Retail packaging

	MB	MC	MA	
621472	310	197	100	3070

## Transport packaging

		TB	TC	TA	
621472	1				

## Spare parts



Replaceable rubber covers for clamp 1693.1, 2 pcs set