

## Hacksaw

750B

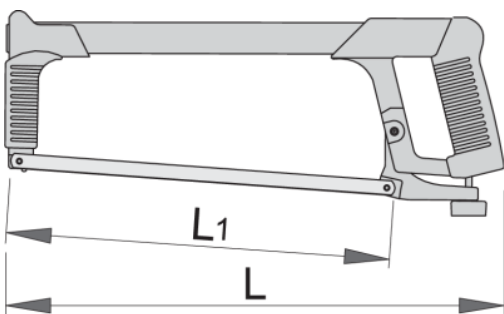


### Usage



### Product attributes

- light compact with ergonomically designed handle
- frame chrome plated, handle lacquered
- two blade position



621531

L

400

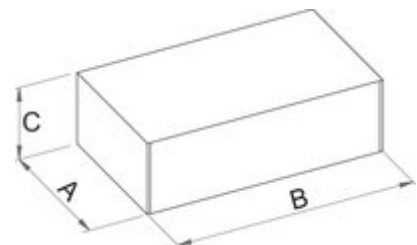
L1

300



731

### Retail packaging



621531	MA	MB	MC	731
621531	410	135	26,3	731



## Transport packaging

621531	1	TA	TB	TC	731
621531	1				

## Spare parts

- Spare blade for 750B, 2 pcs set
- Carbon saw blade for 750B, 2 pcs set