

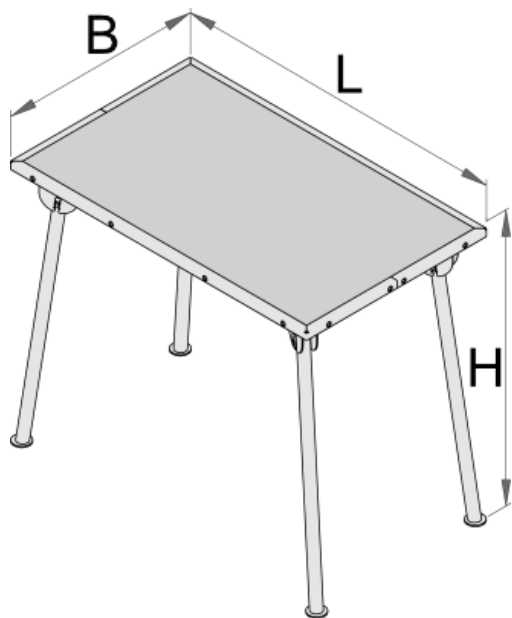
Worktable

946G



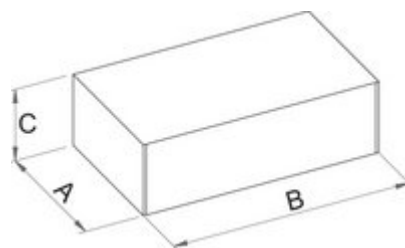
Product attributes

- folding supported legs
- static load capacity: 250kg
- material: premium PLUS sheet metal
- coated with eco colour of Qualicoat quality standard
- plywood – beech wood



Barcode	L	B	H	Weight
---------	---	---	---	--------

621573	1000	600	850	21800
--------	------	-----	-----	-------



Retail packaging

Barcode	MA	MB	MC	Weight
---------	----	----	----	--------

621573	635	1020	190	21870
--------	-----	------	-----	-------

Transport packaging

Barcode	Quantity	TA	TB	TC	Weight
---------	----------	----	----	----	--------

621573	1	635	1020	190	21870
--------	---	-----	------	-----	-------