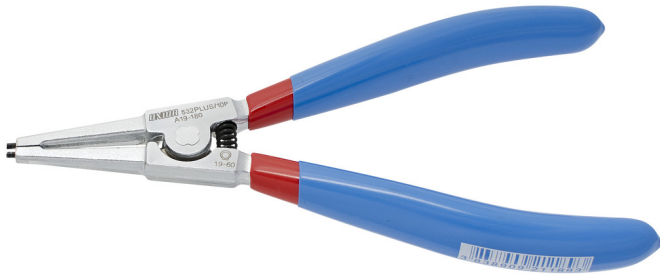
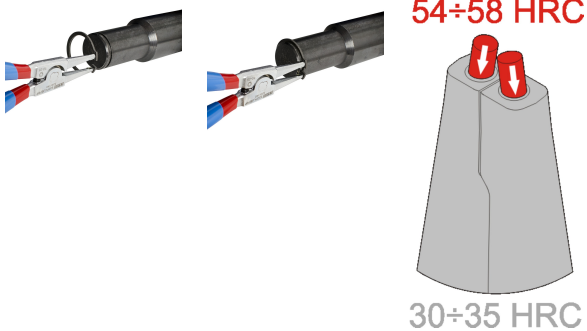


External lock rings pliers, straight

532PLUS/1DP



Usage



Profiles



Product attributes

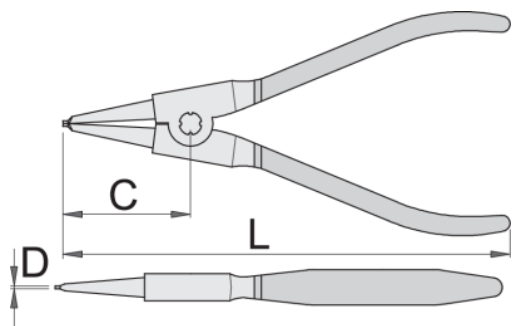
- material: premium plus carbon steel
- drop forged, entirely hardened and tempered
- head polished
- surface finish: chrome plated according to ISO 1456:2009
- tips black finish
- double plastic dipped handles
- made according to standard DIN 5254 form A

Advantages:

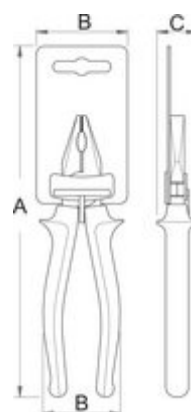
- 30% higher endurance in comparison to convenient lock rings pliers
- with inserted tips
- for diameter 3 to 100mm

Usage:

- for fitting circlips on shafts

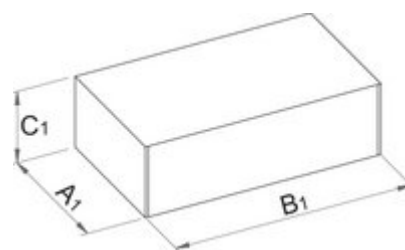


Barcode	L	Ω	D	C	Icon
621187	140	3 - 10	0.9	40	127
621188	140	10 - 25	1.3	40	131
621189	180	19 - 60	1.8	52	209
621190	220	40 - 100	2.2	63	276



Retail packaging

Barcode	MA	MB	MC	Icon
621187	205	58	20	140
621188	210	58	20	140
621189	240	58	20	215
621190	270	58	20	280



Transport packaging

Barcode	Hand icon	TA	TB	TC	Icon
621187	4	91	230	62	624
621188	4	91	230	62	624
621189	4	75	308	60	920
621190	4	114	291	39	1183

