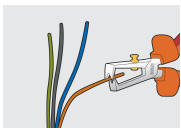


Wire stripping pliers

478/1VDEBI



Usage



Profiles



Premium +

[\(/eng/about-](#)

[us/materials\).](#)



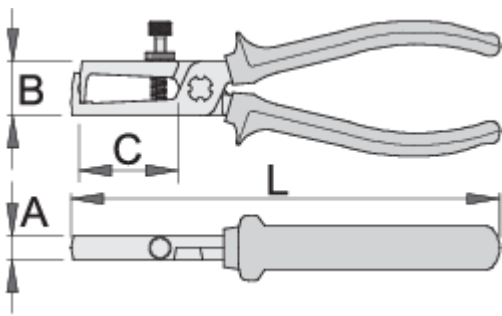
[_\(/eng/support/warranty\).](#)

Product features

- material: premium plus carbon steel
- drop forged, entirely hardened and tempered
- cutting edges induction hardened
- head polished
- surface finish: chrome plated to standard ISO 1456:2009
- heavy duty double - component handles
- stripping capacity: up to max 0.6 - 10mm²
- spring for reopening
- made according to standard EN 60900

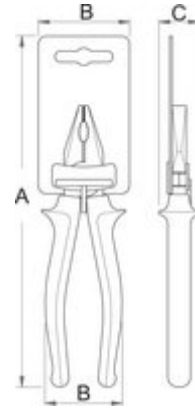
Standards

EN60900



Barcode	L	mm	B	A	C	Icon
---------	---	----	---	---	---	------

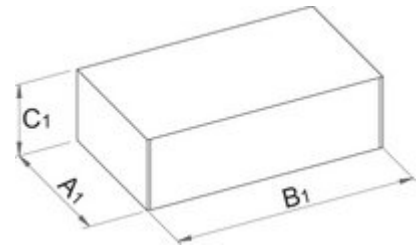
610433	160	0.6 - 10	18	9	40	178
--------	-----	----------	----	---	----	-----



Retail packaging

Barcode	MA	MB	MC	Icon
---------	----	----	----	------

610433	230	58	31	175
--------	-----	----	----	-----



Transport packaging

Barcode	Icon	TA	TB	TC	Icon
---------	------	----	----	----	------

610433	4	104	277	68	782
--------	---	-----	-----	----	-----