

Y hex & torx wrench

1781/2HXTX

NEW

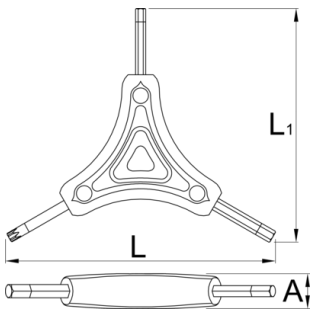






프로파일



제품 특징

- Ergonomically shaped composite tool body
- Insert molded bits for secure fit and durability
- Black oxide tips for improved tolerances
- Y-shape design for good leverage and control
- Includes 4 mm, 5 mm hex and TX25 bits
- Covers the most common bicycle fasteners



				A	B	C	
629583	4	5	25	122	16	106	54

* Images of products are symbolic. All dimensions are in mm, and weight is in grams. All listed dimensions may vary in tolerance.

사용법 (사진)

