

Y hex & torx wrench

1781/2HXTX

NEW

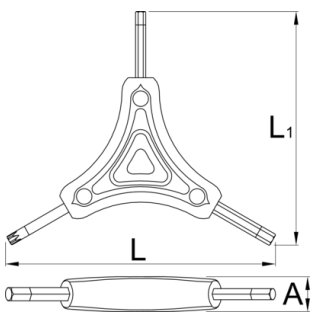


配置文件



产品属性

- Ergonomically shaped composite tool body
- Insert molded bits for secure fit and durability
- Black oxide tips for improved tolerances
- Y-shape design for good leverage and control
- Includes 4 mm, 5 mm hex and TX25 bits
- Covers the most common bicycle fasteners



| | | | | | | | |
|--------|---|---|----|----------|----------|----------|----|
| | | | | A | B | C | |
| 629583 | 4 | 5 | 25 | 122 | 16 | 106 | 54 |

* Images of products are symbolic. All dimensions are in mm, and weight in grams. All listed dimensions may vary in tolerance.

用途 (pictures)

