

Spoke tension meter 2.0

1752/6

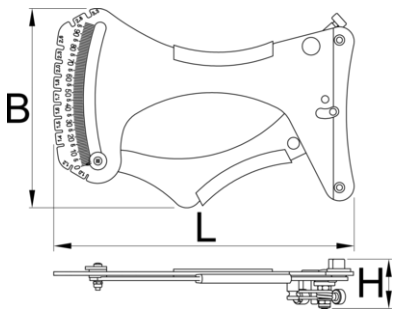
NEO



Χαρακτηριστικά προϊόντος

New in Version 2.0:

- Bearing contact points – Now equipped with bearings at the spoke contact areas, which greatly improve measurement accuracy and repeatability
- Black surface finish – The updated black body makes the scale easier to read
- Quick access QR code – Instantly links you to the Unior Wheel Tension App (<https://spoketension.uniortools.com/>), which includes conversion tables to translate measurements into kilogram-force, tool and app usage instructions, an interactive wheel tension balancing chart, and the option to print a wheel tension sheet
- Spoke thickness gauge – A built-in gauge allows for quick and easy spoke diameter identification
- Unique Calibration System – Each tool includes a dedicated calibration stick—the exact one used during its factory calibration. This allows for quick and precise recalibration at any time. Simply press the handle, insert the calibration stick, and adjust the tool's spring until the reading matches the calibration value marked on the stick. The process takes just seconds.



629939

L

205

B

135

H

37



682

* Οι εικόνες των προϊόντων είναι συμβολικές. Όλες οι διαστάσεις είναι σε mm, το βάρος είναι σε γραμμάρια. Όλες οι αναφερόμενες διαστάσεις μπορεί να διαφέρουν σε ανοχές.

Χρήση (εικόνες)



Ανταλλακτικά



Spring for spoke tension meter