

940T

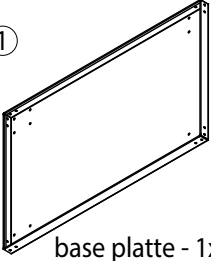
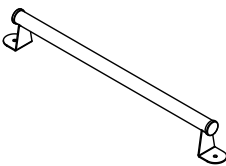
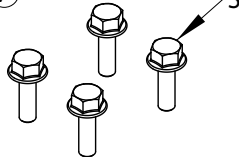
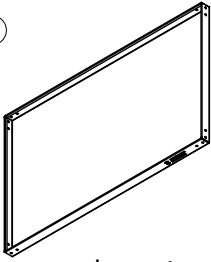

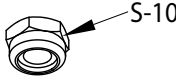
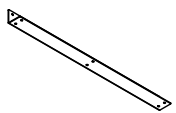
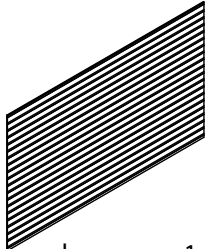

EN Mobile work bench

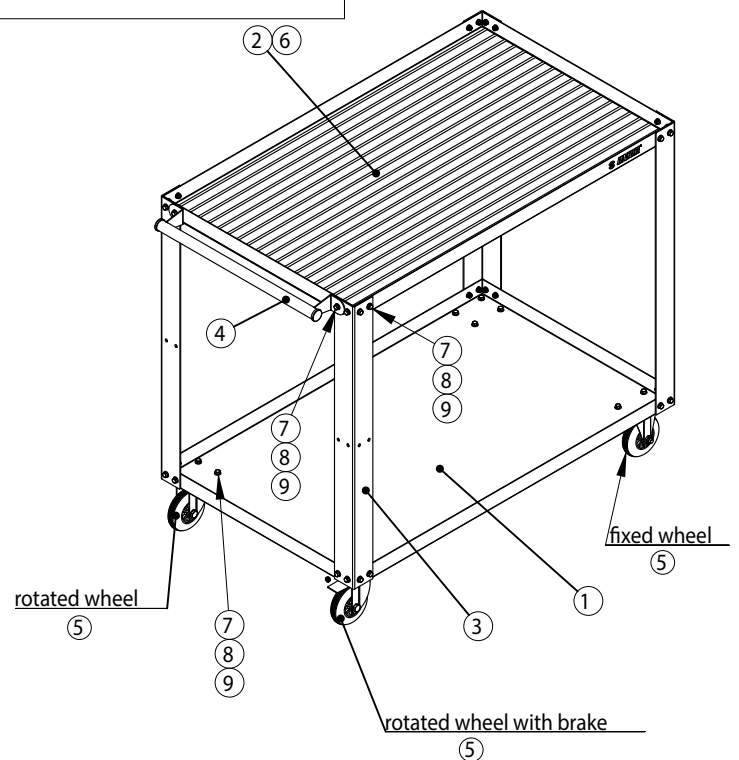
SLO Pult delovni mobilni

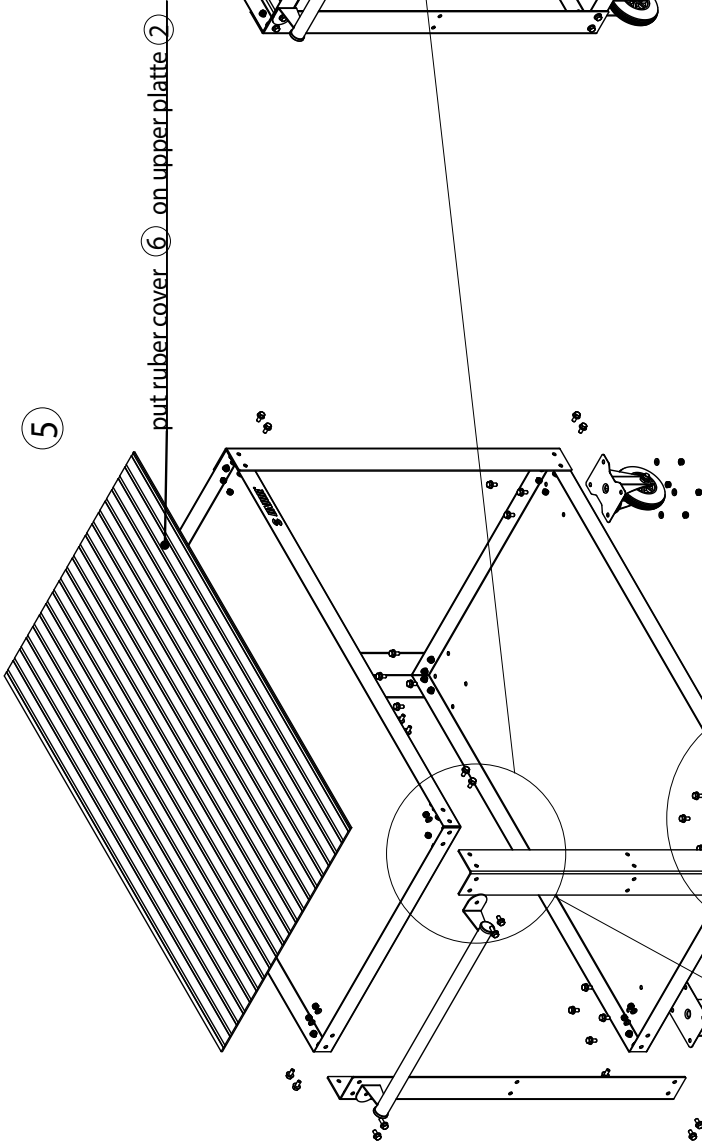
UNIOR[®]
uniortools.com

Unior d.d., Kovaška cesta 10, 3214 Zreče, Slovenia, T: +386 3 757 81 00, www.uniortools.com

90945699

<p>①</p>  <p>base platte - 1x</p>	<p>④</p>  <p>handle - 1 x</p>	<p>⑦</p>  <p>screws - M6x12 - 50 x - S 10 screws - M6x16 - 2 x - S 8</p>
<p>②</p>  <p>upper platte - 1 x</p>	<p>⑤</p>  <p>wheels - Ø 100 - SET: fixed wheels - 2 x rotated wheel - 1 x rotated wheel with brake - 1 x</p>	<p>⑧</p>  <p>security nut - M6 - 52 x</p>
<p>③</p>  <p>pillar - 4 x</p>	<p>⑥</p>  <p>rubber cover - 1 x</p>	<p>⑨</p>  <p>washer M6 - 52 x</p>

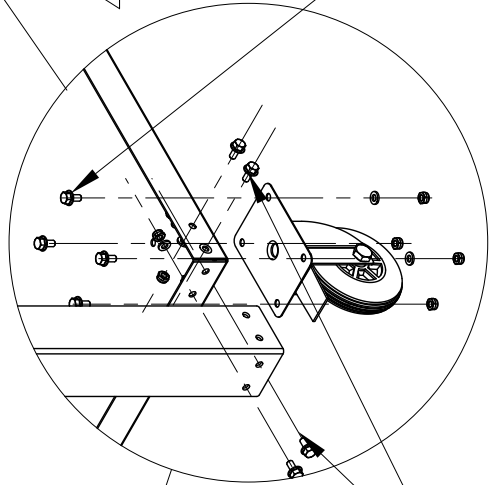




put rubber cover (2) on upper plate (5)

5

rotated wheel on the same side as handle



1

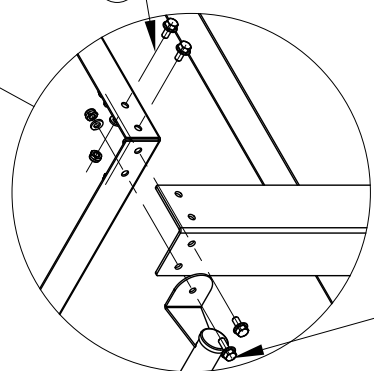
fixed wheels (5) on base plate (1) with screw M6x12 (7), nut (8) and washer (9) - use socket wrench S 10

fixed upper plate (2) on pillars (3) with screw M6x12 (7), nut (8) and washer (9) - use socket wrench S 10

3

fixed pillars (3) on base plate (1) with screw M6x12 (7), nut (8) and washer (9) - use socket wrench S 10

2



4

fixed handle (4) on upper plate (2) through the pillar (3) with screw M6x16 (7), nut (8) and washer (9) - use socket wrench S 8